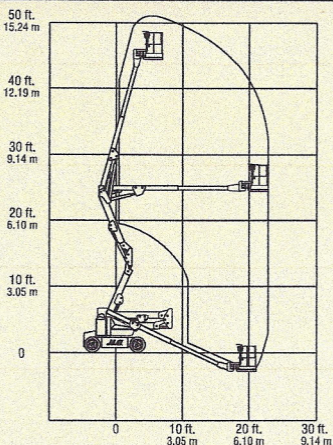


# JLG MODEL E450 Series



## E450AJ

45 ft (13.72 m)

23 ft 9 in. (7.24 m)

25 ft 3 in. (7.7 m)

360 Degrees Non-Continuous

500 lb (227 kg)

180 Degrees Hydraulic

141 Degrees (+86, -55) Vertical

30 x 60 in. (0.76 x 1.52 m)

5 ft 9 in. (1.75 m)

Zero

6 ft 7 in. (2.01 m)

21 ft 2 in. (6.45 m)

6 ft 7 in. (2.0 m)

8.5 in. (22 cm)

14,400 lb (6,532 kg)

75 psi (5.25 kg/cm<sup>2</sup>)

3.2 mph (5.2 kph)

30%

2 ft (61 cm)

10 ft 4 in. (3.15 m)

240/55-17.5 pneumatic

48V DC

8 x 6V 370 amp/hr

Dual Electric Traction

Automatic Spring

Applied Multiple

Permanent Magnet

Motor/Gear Pump

4 gal. (15.2 L)

Fully Automatic,

45 Amp Yanmar 6 hp

Air-Cooled Engine

4 gal. (15.2 L)